

19INCH RACK DRAWER

TERMINAL BOX



General Description

19 Inch Rack Drawer Terminal Box is a passive device which terminates and distributes trunk optical fiber cables in fiber optical communication system, to having a implement of connecting |distributing| adjusting optical fiber circuit conveniently.

Features

- Standard 19 inch structure, could be installed on various of standard racks.
- Drawer type for sliding flexibly as a easy operation design.
- Frame plate is suitable for installing sorts of adaptors such FC、 SC、 ST、 2LCetc.
- Three-in-One of fiber splicing wrapping &storage Distribution with smart configuration
- Simple but elegant frame which is with average color painting and has enough tolerance for compact resistance.
- The series of products by the ministry of information industry standard YD/T 2150-2010, design and manufacture of YD/T1117-2001.

Technical Data

Item	Details
Product Name	19 Inch Rack Drawer Terminal Box

Mounting	19inch standard rack-mounted
Color of Frame	Black
Material of Frame	1.2mm superior cold-rolled sheet cold-rolled primes, surface painting by Electro-static coating
Output Adaptor	FC、SC、ST、2LC etc.
Capacity	Up to 96 cores

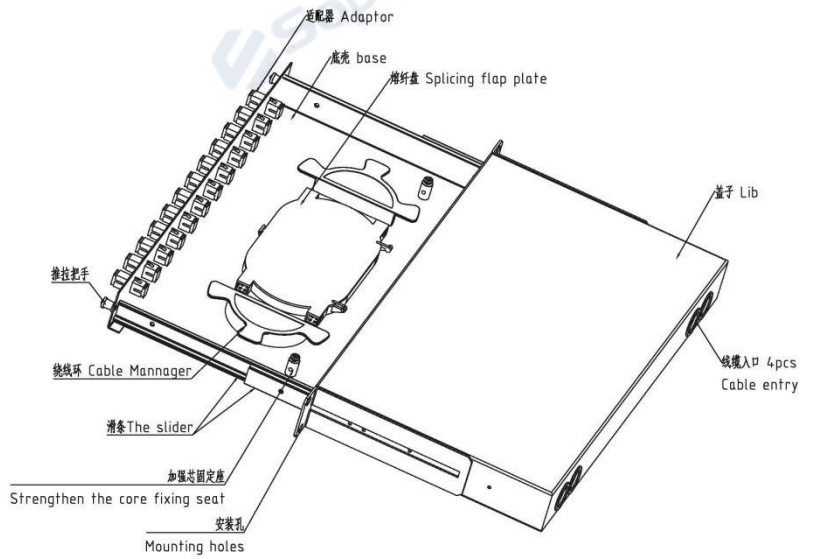
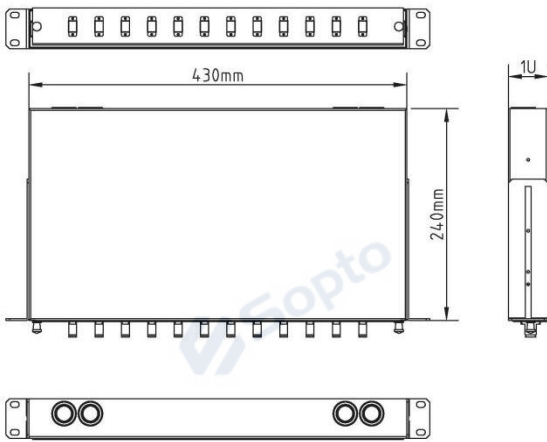
Model for details

MODEL	Size	The net weight	Describe
SPDF-I12FCT-DMB	430*240*1U	3.5KG	Terminal Box Indoor 19inch rack drawer 12 cores FC/ST type without adaptors , pigtails and splitter Metal type B
SPDF-I12SCT-DMB	430*240*1U	3.5KG	Terminal Box Indoor 19inch rack drawer 12 cores Simplex SC/Duplex LC type without adaptors , pigtails and splitter Metal type B
SPDF-I24SCT-DMB	430*240*1U	3.5KG	Terminal Box Indoor 19inch rack drawer 24 cores Simplex SC/Duplex LC type without adaptors , pigtails and splitter Metal type B
SPDF-I24FCT-DMB	430*240*1U	3.5KG	Terminal Box Indoor 19inch rack drawer 24 cores FC/ST type without adaptors , pigtails and splitter Metal type B
SPDF-I36SCT-DMB	430*240*2U	6.2KG	Terminal Box Indoor 19inch rack drawer 36 cores Simplex SC/Duplex LC type without adaptors , pigtails and splitter Metal type B
SPDF-I36FCT-DMB	430*240*2U	6.2KG	Terminal Box Indoor 19inch rack drawer 36 cores FC/ST type without adaptors , pigtails and splitter Metal type B
SPDF-I48SCT-DMB	430*240*2U	6.2KG	Terminal Box Indoor 19inch rack drawer 48 cores Simplex SC/Duplex LC type without adaptors , pigtails and splitter Metal type B
SPDF-I48FCT-DMB	430*240*2U	6.2KG	Terminal Box Indoor 19inch rack drawer 48 cores FC/ST type without adaptors , pigtails and splitter Metal type B

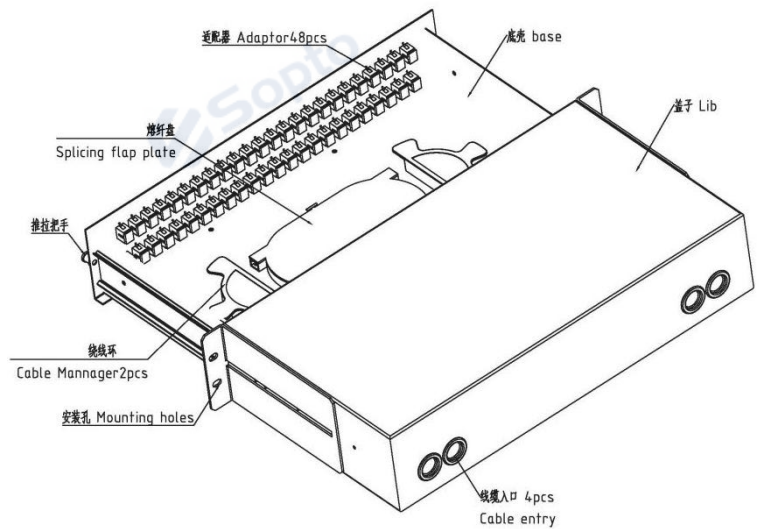
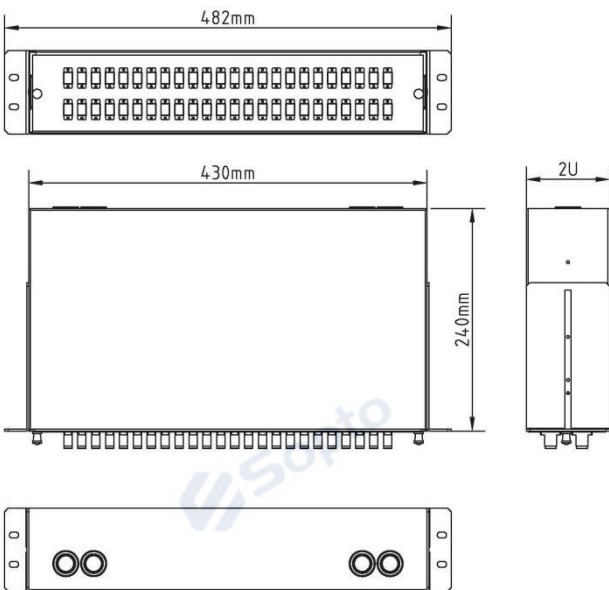
Dimensions



Model Size: 430mmx250mmx1U



Model Size: 430mmx250mmx2U



E-mail: sales@sopto.com

Web : <http://www.sopto.com>

