

SPH-QSFP28-CX

100G QSFP28 COPPER CABLE ASSEMBLY



Description

100G QSFP28 passive cable assembly products, based on 4 x25G or 4 x28G structure, the product can well satisfy the next generation 100G switches, servers, routers and other products of application requirements. QSFP28 cable adopts optimized design to reduce crosstalk and insertion loss, excellent signal integrity, fully conforms to the next generation 100G Ethernet and Infiniband EDR standards.

Product Features

- Compliant with SFF-8636
- Support IEEE802.3Bj(Ethernet)
- I2C based two-wire serial interface for easy control and monitoring
- Hot Pluggable
- Low Crosstalk
- Low power consumption

Applications

- 10G/40G /100G Gigabit Ethernet
- Infiniband SDR, DDR, QDR,FDR,EDR
- Servers ,Routers and Switches
- Data Center

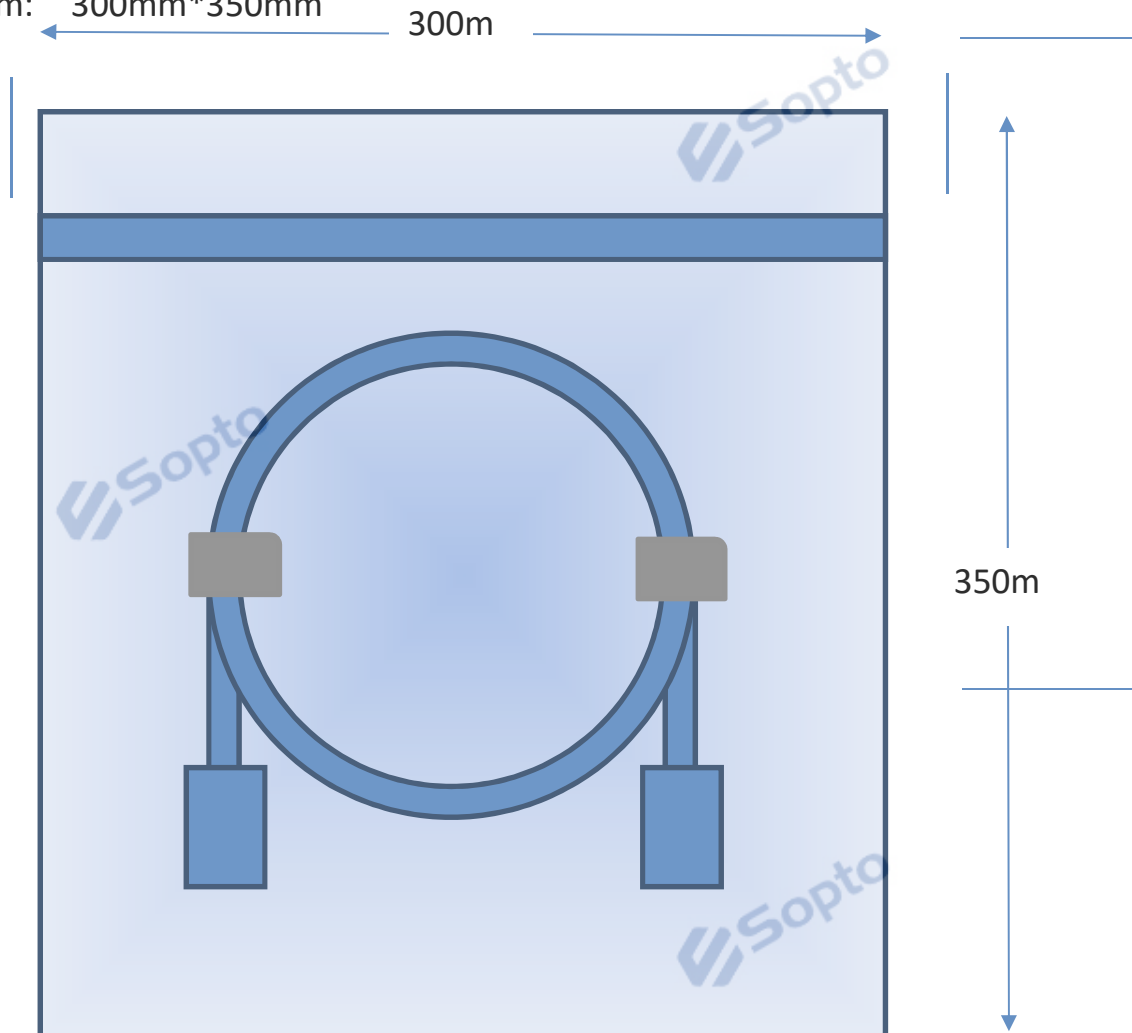
Wiring Diagram

X1	X2	REMARKS	X1	X2	REMARKS
18(RX1-)	37(TX1-)	pair	37(TX1-)	18(RX1-)	pair
17(RX1+)	36(TX1+)		36(TX1+)	17(RX1+)	
15(RX3-)	34(TX3-)	pair	34(TX3-)	15(RX3-)	pair
14(RX3+)	33(TX3+)		33(TX3+)	14(RX3+)	
6 (TX4+)	25(RX4+)	pair	25(RX4+)	6 (TX4+)	pair
5 (TX4-)	24(RX4-)		24(RX4-)	5 (TX4-)	
3 (TX2+)	22(RX2+)	pair	22(RX2+)	3 (TX2+)	pair
2 (TX2-)	21(RX2-)		21(RX2-)	2 (TX2-)	
1, 4, 7, 13, 16, 19, 20, 23, 26, 32, 35, 38	1, 4, 7, 13, 16, 19, 20, 23, 26, 32, 35, 38	GND	8, 9, 10, 11, 12, 27, 28, 29, 30, 31	8, 9, 10, 11, 12, 27, 28, 29, 30, 31	EEPROM point at both ends

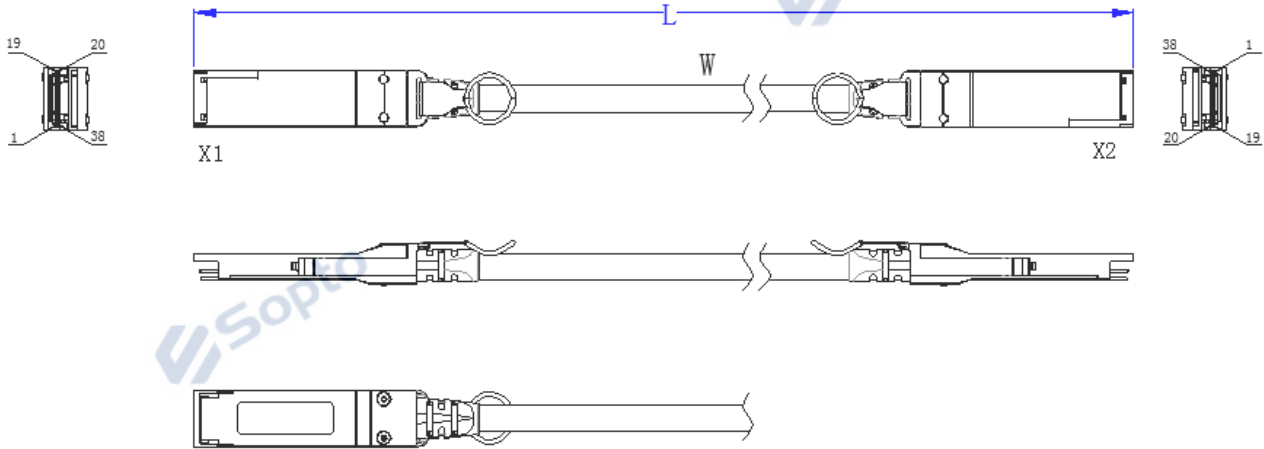
Packing Anti Static Bag

<=2m : 200mm*300mm

>2m: 300mm*350mm



Outline drawing



Ordering information

Part Number	Description	Cable Length (m)	AWG
SPH-QSFP28-C0.5-30	QSFP28 to QSFP28	0.5	30
SPH-QSFP28-C1-30	QSFP28 to QSFP28	1	30
SPH-QSFP28-C2-30	QSFP28 to QSFP28	2	30
SPH-QSFP28-C3-28	QSFP28 to QSFP28	3	28
SPH-QSFP28-C4-28	QSFP28 to QSFP28	4	28
SPH-QSFP28-C5-26	QSFP28 to QSFP28	5	26

Note:

- 1、 Default Jacket Material is PVC.
- 2、 Default operating case temperature is 0 ~ 70°C. If you need -40 ~ 85°C products, add "T" after Part Number .
- 3、 If you need more customized services, please contact us.

E-mail: sales@sopto.com

Web : <http://www.sopto.com>